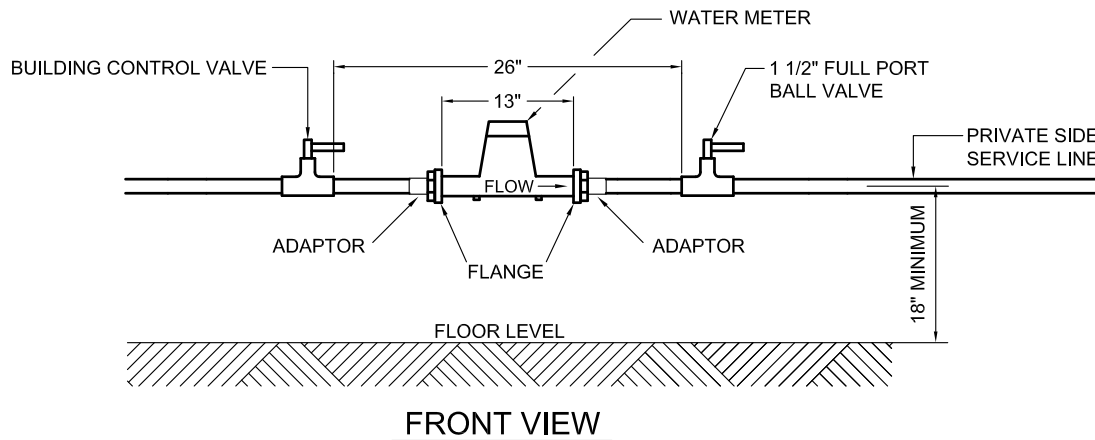


— FLOW →

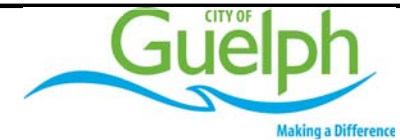
NO OBSTRUCTIONS

NOTE: METER MUST BE INSTALLED ON HORIZONTAL PLAIN



## NOTES TO BUILDER AND PLUMBER

1. ALL METERS MUST BE ACCESSIBLE FOR READING AND REPLACEMENT. ANY OBSTRUCTIONS WILL BE BASIS FOR TERMINATION OF THE WATER SUPPLY.
2. ALL WATER METERS ARE MARKED WITH A FLOW DIRECTIONAL ARROW. PLEASE ENSURE ARROW CORRESPONDS WITH WATER FLOW.
3. REMOVE METER FROM SERVICE BEFORE SOLDERING. HEAT AND SOLDER WILL DAMAGE THE INNER COMPONENTS OF THE WATER METER. AN INVOICE WILL BE FORWARDED FOR ANY DAMAGED METERS.
4. ALL METER SETS MUST HAVE FULL PORT BALL VALVES BEFORE AND AFTER THE WATER METER AS THE DRAWING INDICATES.
5. 2' CLEARANCE ABOVE AND 3' CLEARANCE IN FRONT OF THE WATER METER IS MANDATORY.
6. MANIFOLD TO BE COPPER.
7. THE CITY WILL SUPPLY ONE 1 1/2" WATER METER, METER FLANGES, GASKETS AND NUTS/BOLTS FOR METER SET.
8. WATER METER TO BE INSTALLED BY BUILDER / PLUMBING CONTRACTOR.
9. ALL WATER METERS MUST BE INSTALLED USING THE SUPPLIED METER FLANGES, NUTS/BOLTS, AND GASKETS. NO OTHER MATERIAL WILL BE ACCEPTED.
10. WATER METER REMOTE WIRING TO BE INSTALLED BY THE BUILDER. SEE WATER METER WIRE SPECIFICATIONS FOR MORE INFORMATION.
11. BYPASSES ARE NOT TO BE INSTALLED WITHOUT EXPRESS WRITTEN CONSENT OF WATER SERVICES.
12. CALL WATER SERVICES 519-837-5627 FOR FURTHER ASSISTANCE.



1 1/2" METER SET - STANDARD

DRAWN	DJF	SCALE	N.T.S.
CHECKED		DATE	April 2018