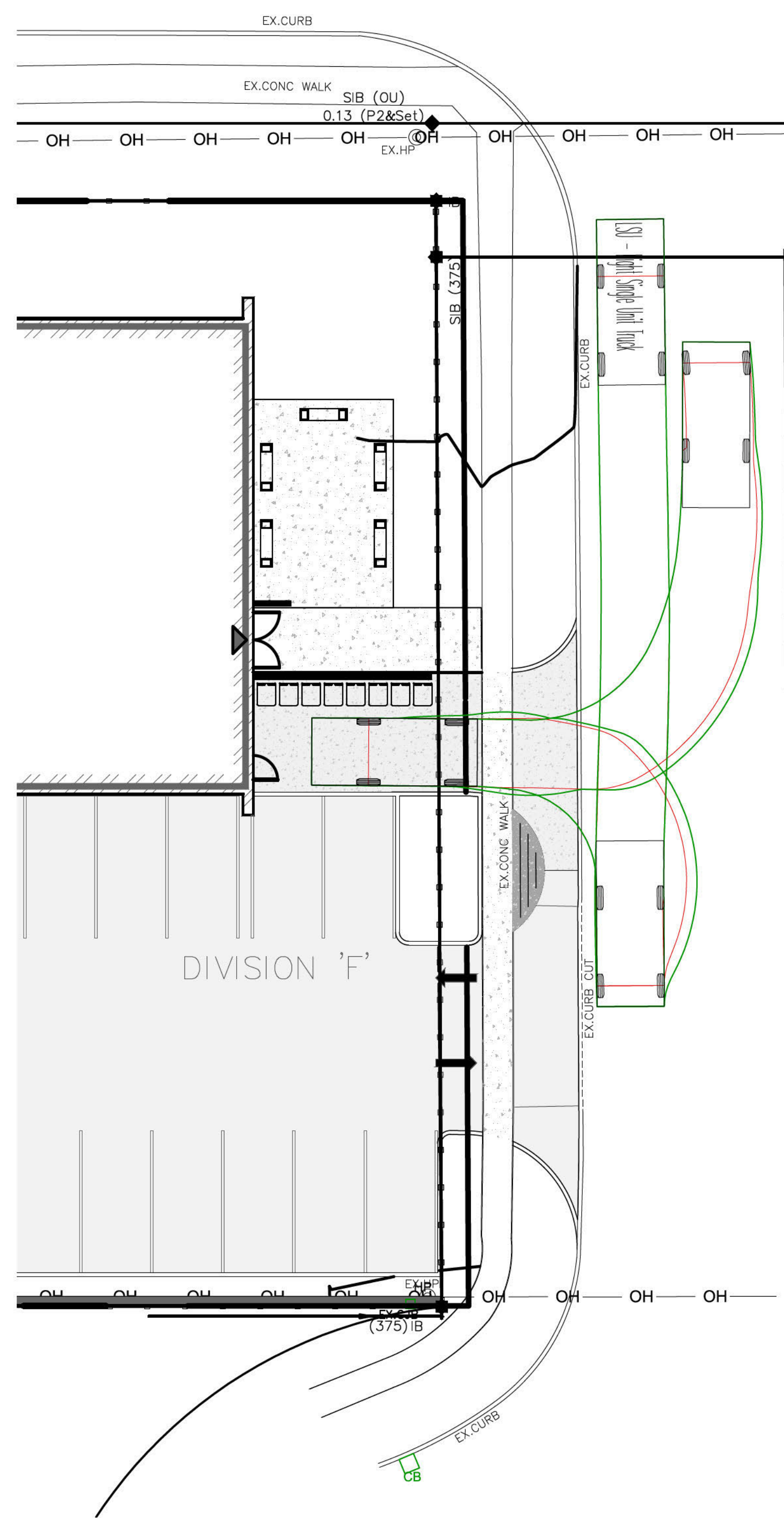


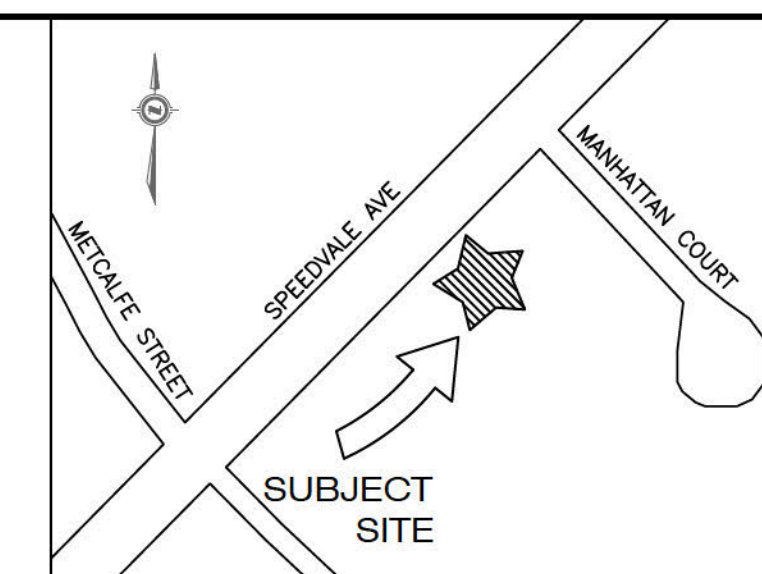
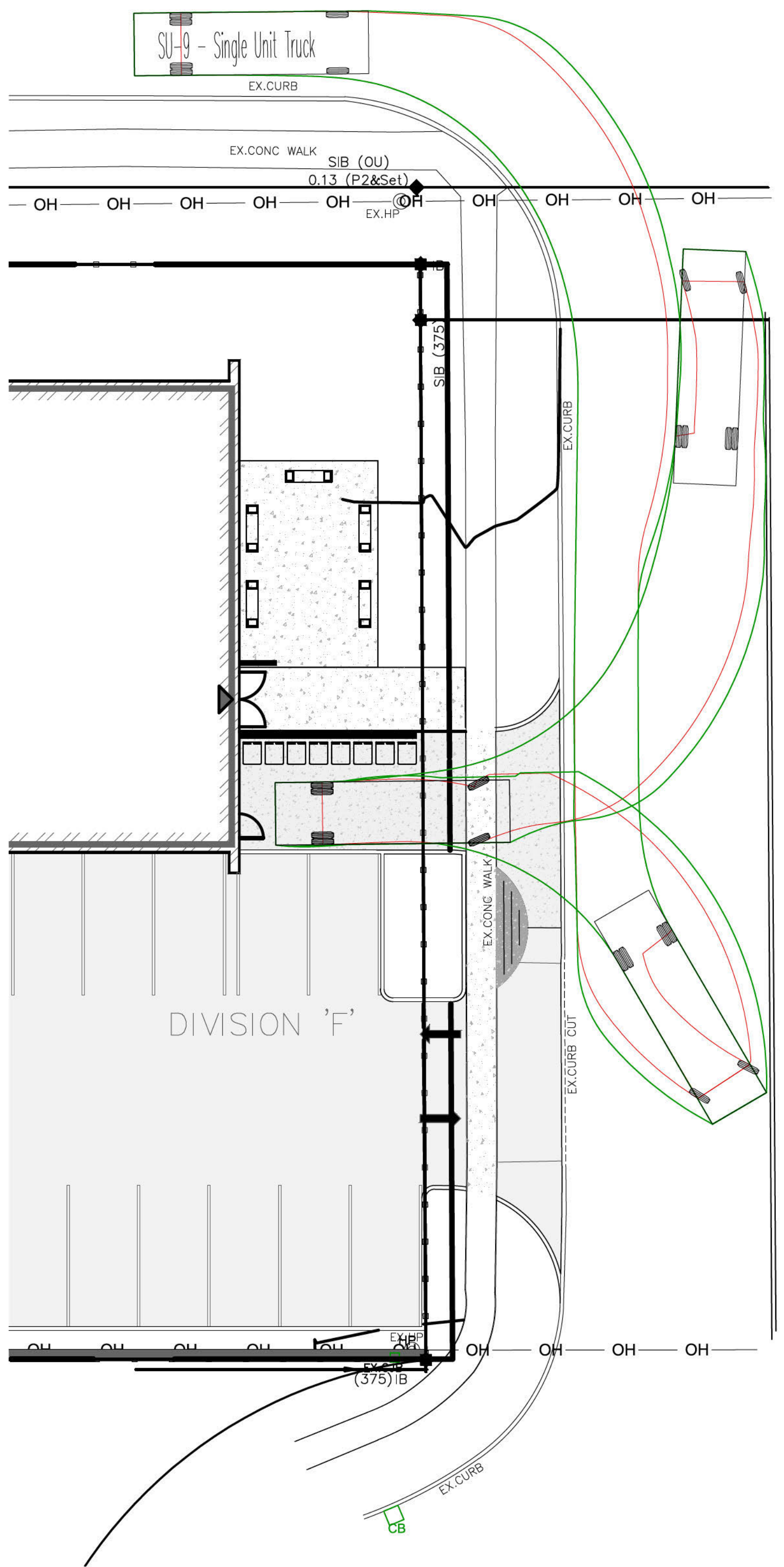
LIGHT SINGLE UNIT TRUCK - ENTER / LOAD / EXIT:

SPEEDVALE AVENUE



WASTE COLLECTION TRUCK MOVEMENT - ENTER / LOAD / EXIT:

SPEEDVALE AVENUE



LEGAL INFORMATION

PART OF
LOT 15
CONCESSION 2, DIVISION 'F'
IN THE
CITY OF GUELPH
COUNTY OF WELLINGTON

LEGEND:

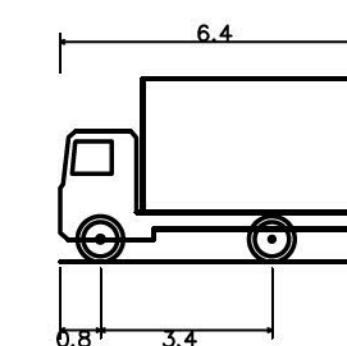
- VEHICLE BODY PATH ENVELOPE
- VEHICLE WHEEL PATH ENVELOPE

NOTES:

1. THE DESIGN OF THE PROPOSED VEHICLE PATHS WAS COMPLETED USING THE AUTODESK VEHICLE TRACKING - VEHICLE SWEEP PATH ANALYSIS SOFTWARE WITH THE VEHICLE MODELS SHOWN.
2. VEHICLE PROFILES SHOWN ARE FOR DIMENSION ILLUSTRATION ONLY AND MAY NOT BE ACCURATE VISUAL REPRESENTATIONS OF THE VEHICLE STYLES.

LIGHT SINGLE UNIT TRUCK PROFILE

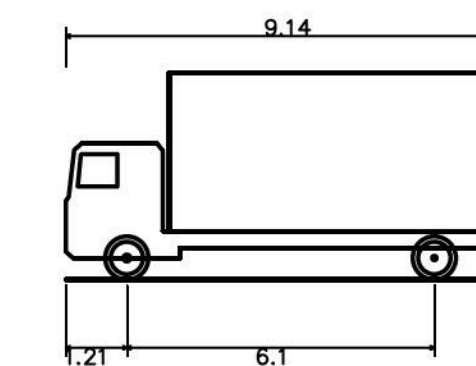
N.T.S.



LSU - Light Single Unit Truck	
Overall Length	6.400m
Overall Width	2.600m
Overall Body Height	3.650m
Min Body Ground Clearance	0.445m
Track Width	2.600m
Lock-to-lock time	4.00s
Curb-to-curb Turning Radius	6.300m

REPRESENTATIVE WASTE COLLECTION TRUCK PROFILE

N.T.S.



NOTE:
PRIVATE WASTE COLLECTION IS PROPOSED WITH USE OF A COMPACT REAR-LOADING GARBAGE TRUCK OF EQUAL OR SMALLER SIZE THAN THE SU-9 TRUCK SHOWN.

SU-9 - Single Unit Truck	
Overall Length	9.140m
Overall Width	2.440m
Overall Body Height	4.110m
Min Body Ground Clearance	0.417m
Track Width	2.440m
Lock-to-lock time	5.00s
Max Steering Angle (Virtual)	31.80°

S:\2023_habitat\03_Draft\03_Draft\07_Truck Movement\SBM-23-1518_Habitat_GW - 303-317_Speedvale_Ave - Traffic_Geometrics_Plan.dwg

AS CONSTRUCTED SERVICES	COMPLETION	No.	REVISIONS	D/M/Y	BY	CONSULTANT
		1	FOR SUBMISSION - OPA/ZBA	31/01/24	JBL	
DESIGN	JBL					
DRAWN	JBL					
CHECKED	JBL					
APPROVED	KK					
DATE				31/01/24		
CAD	23-1518					

STRIK BALDINELLI MONIZ
PLANNING - CIVIL - STRUCTURAL - MECHANICAL - ELECTRICAL
1599 Adelaide St. N, Unit 301, London, Ontario, N5X 4E8
Tel: (519) 471-8667 Fax: (519) 471-0034
Email: sbm@sbmild.ca

ENGINEER'S STAMP
ENGINEER'S STAMP

CLIENT
HABITAT FOR HUMANITY
SUITE 100B - 104 DAWSON RD.
GUELPH, ON
N1H 1A6
P: 226-770-4341
E: BRETT@HABITATGW.CA

SCALE
SCALE - 1:150
0 3.0m

TITLE
TRAFFIC GEOMETRICS PLAN
HABITAT FOR HUMANITY
303 - 317 SPEEDVALE AVE
GUELPH, ON.

PROJECT No.
SBM-23-1518
SHEET No.
TGP1
PLAN FILE No.
-