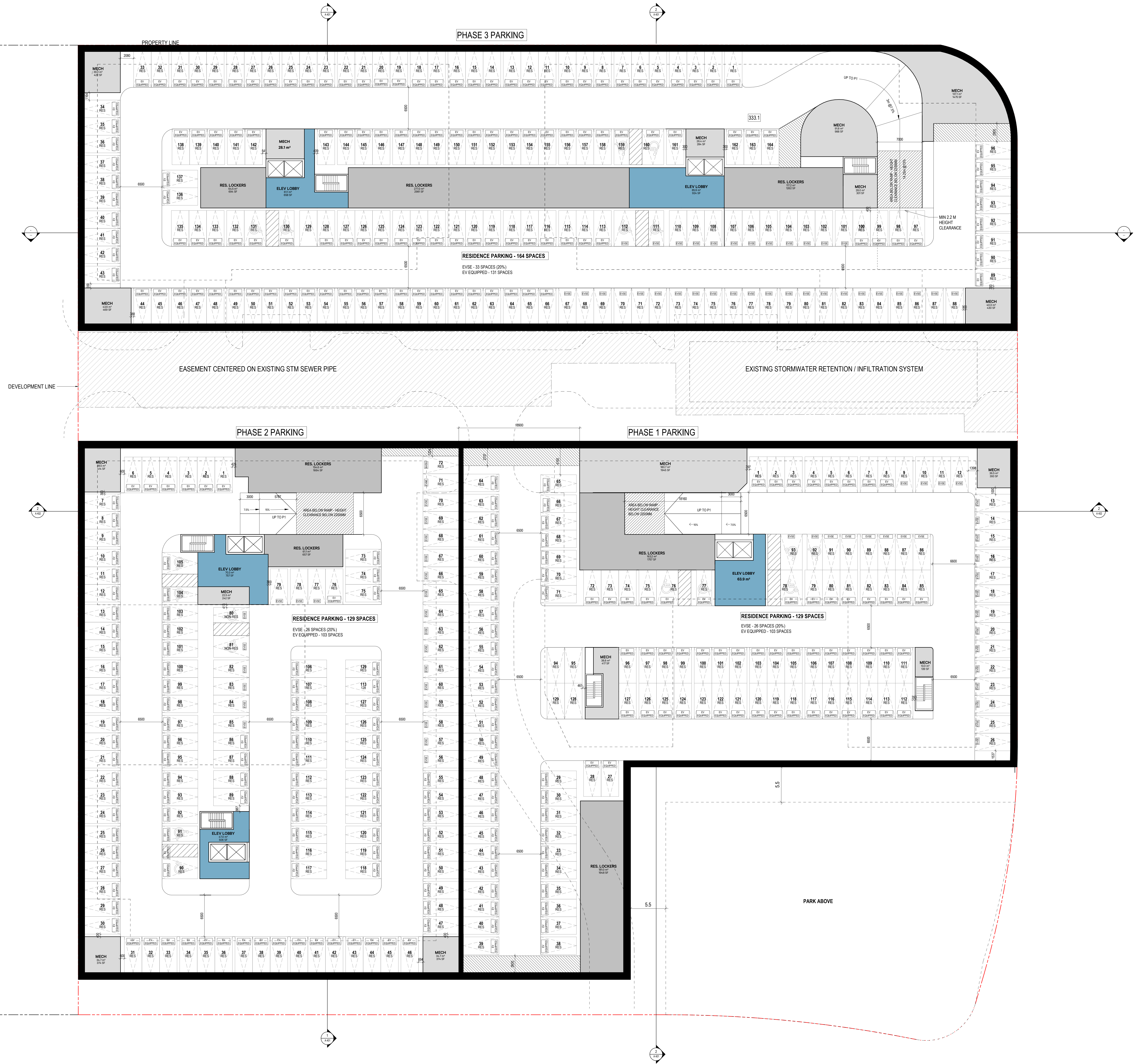
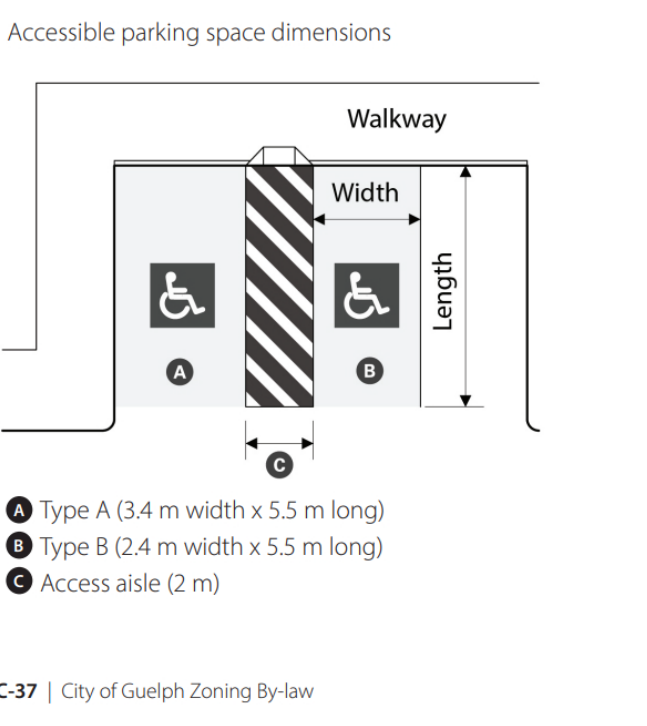
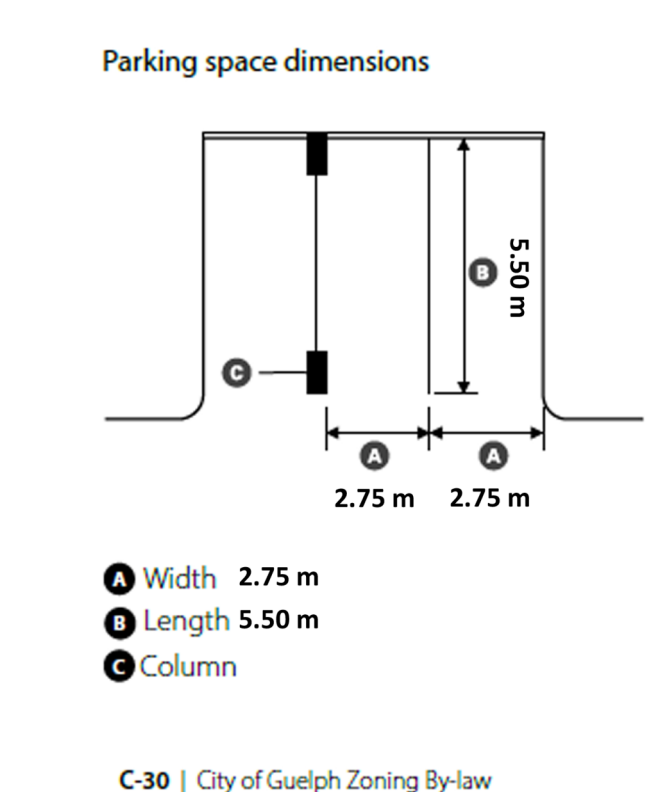


COPYRIGHT RESERVED. THIS DESIGN AND DRAWING ARE THE EXCLUSIVE PROPERTY OF THE DESIGNER AND CANNOT BE USED FOR ANY PURPOSE WITHOUT THE WRITTEN CONSENT OF THE DESIGNER.
 THIS DRAWING IS NOT TO BE USED FOR CONSTRUCTION UNLESS ISSUED FOR THAT PURPOSE BY THE DESIGNER.
 PRIOR TO COMMENCEMENT OF THE WORK THE CONTRACTOR SHALL VERIFY ALL DIMENSIONS, DATA AND LEVELS TO IDENTIFY ANY ERRORS AND DISCREPANCIES AND REPORT ANY DISCREPANCIES BETWEEN THE DRAWING AND THE FIELD. CONFLICT DOCUMENTS ARE LISTED BETWEEN THE DRAWING AND THE FIELD. CONFLICT DOCUMENTS ARE LISTED BETWEEN THESE ITEMS TO THE ATTENTION OF THE OWNER FOR CLARIFICATION.

NO.	DATE	REVISION / ISSUANCE
1	231215	Issued For ZBA Pre-Submission
2	240726	Issued For ZBA Pre-submission

NOTES



PERGOLA COMMONS

LEVEL P2 PARKING PLAN

PROJECT	SCALE	DRAWN	AUTHOR
DATE	1:200	DATE	CHECKER
	TU/06/23		

A 106

2024-07-26 11:44:22 AM