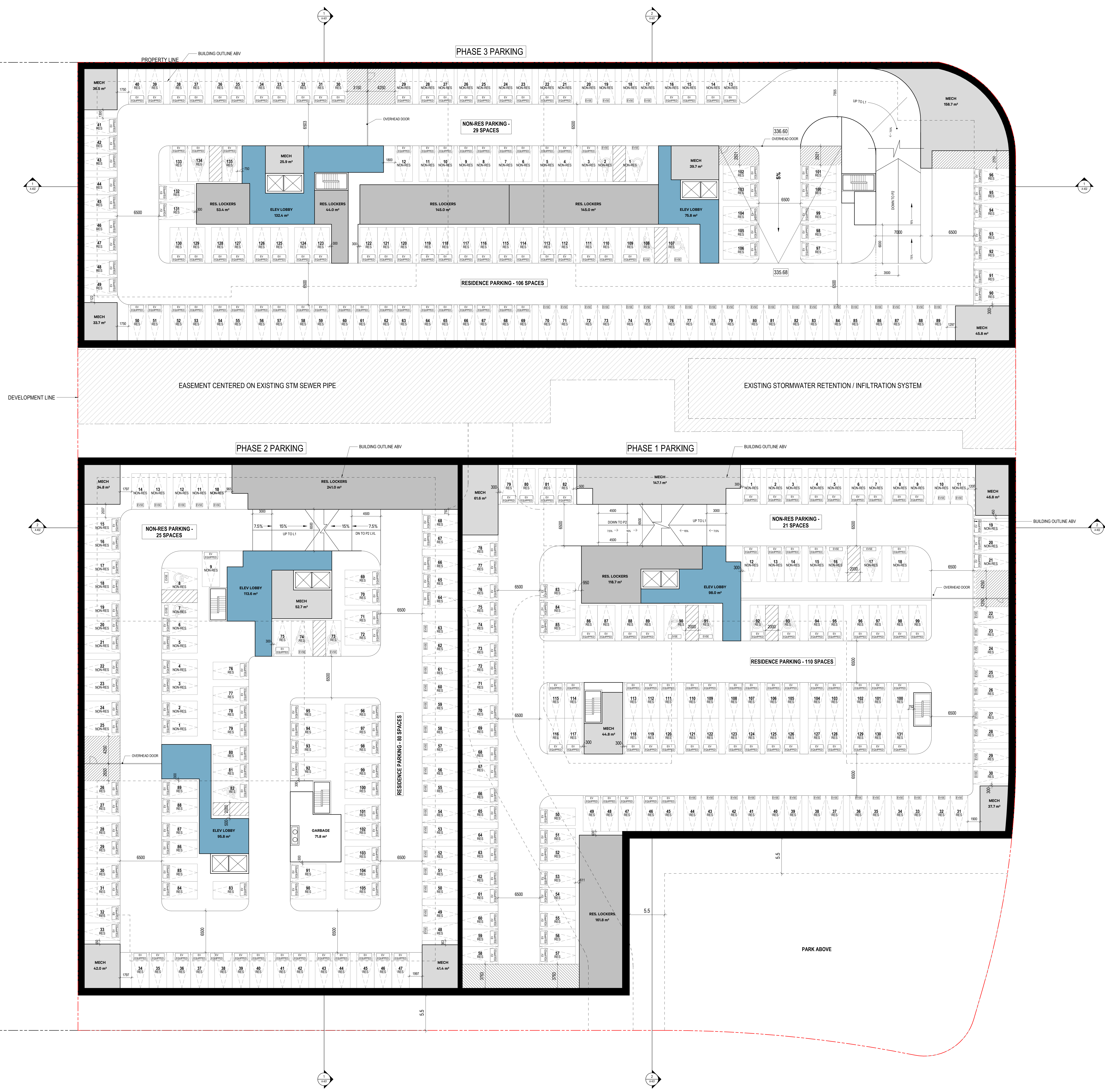
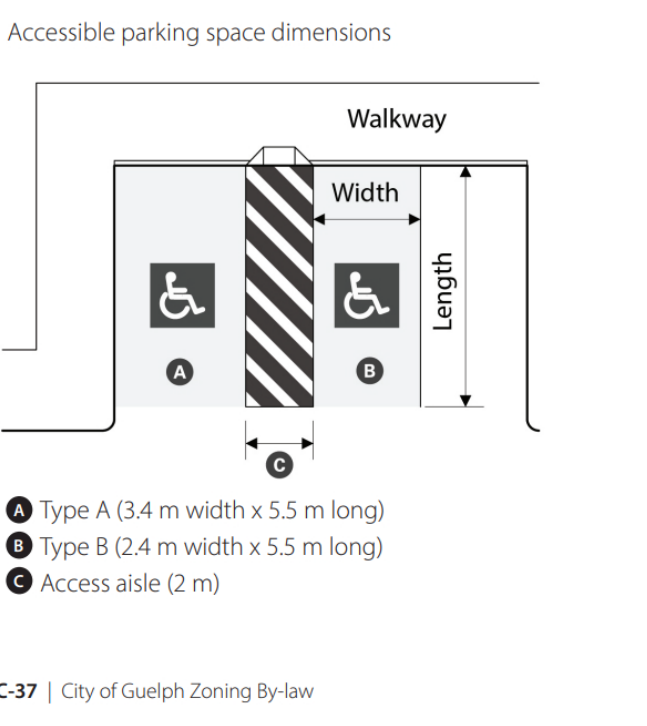
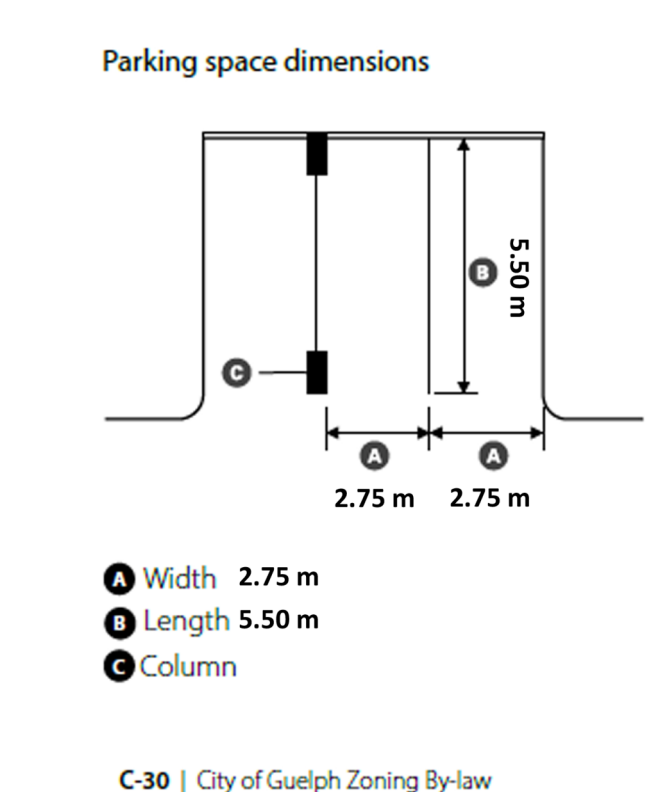


COPYRIGHT RESERVES THIS DESIGN AND DRAWINGS ARE THE EXCLUSIVE PROPERTY OF THE DESIGNER AND CANNOT BE USED FOR ANY PURPOSE WITHOUT THE WRITTEN CONSENT OF THE DESIGNER.
 THIS DRAWING IS NOT TO BE USED FOR CONSTRUCTION UNLESS ISSUED FOR THAT PURPOSE BY THE DESIGNER.
 PRIOR TO COMMENCEMENT OF THE WORK THE CONTRACTOR SHALL VERIFY ALL DIMENSIONS, DATA AND LEVELS TO IDENTIFY ANY ERRORS AND DISCREPANCIES AND REPORT ANY DISCREPANCIES BETWEEN THE DRAWING AND THE FIELD. CONFLICT DOCUMENTS ARE BEING THESE DRAWINGS TO THE ATTENTION OF THE OWNER FOR CLARIFICATION.

NO. DATE REVISION / ISSUANCE
 1 231215 Issued For ZBA Pre-Submission

NOTES



PERGOLA COMMONS

LEVEL P1 PARKING PLAN

PROJECT SCALE: 1:200
 DATE: 01/18/18
 DRAWN BY: [Signature]
 CHECKED BY: [Signature]
 AUTHOR: [Signature]
 CHECKER: [Signature]

A 105
 2023-12-14 2:45:41 PM